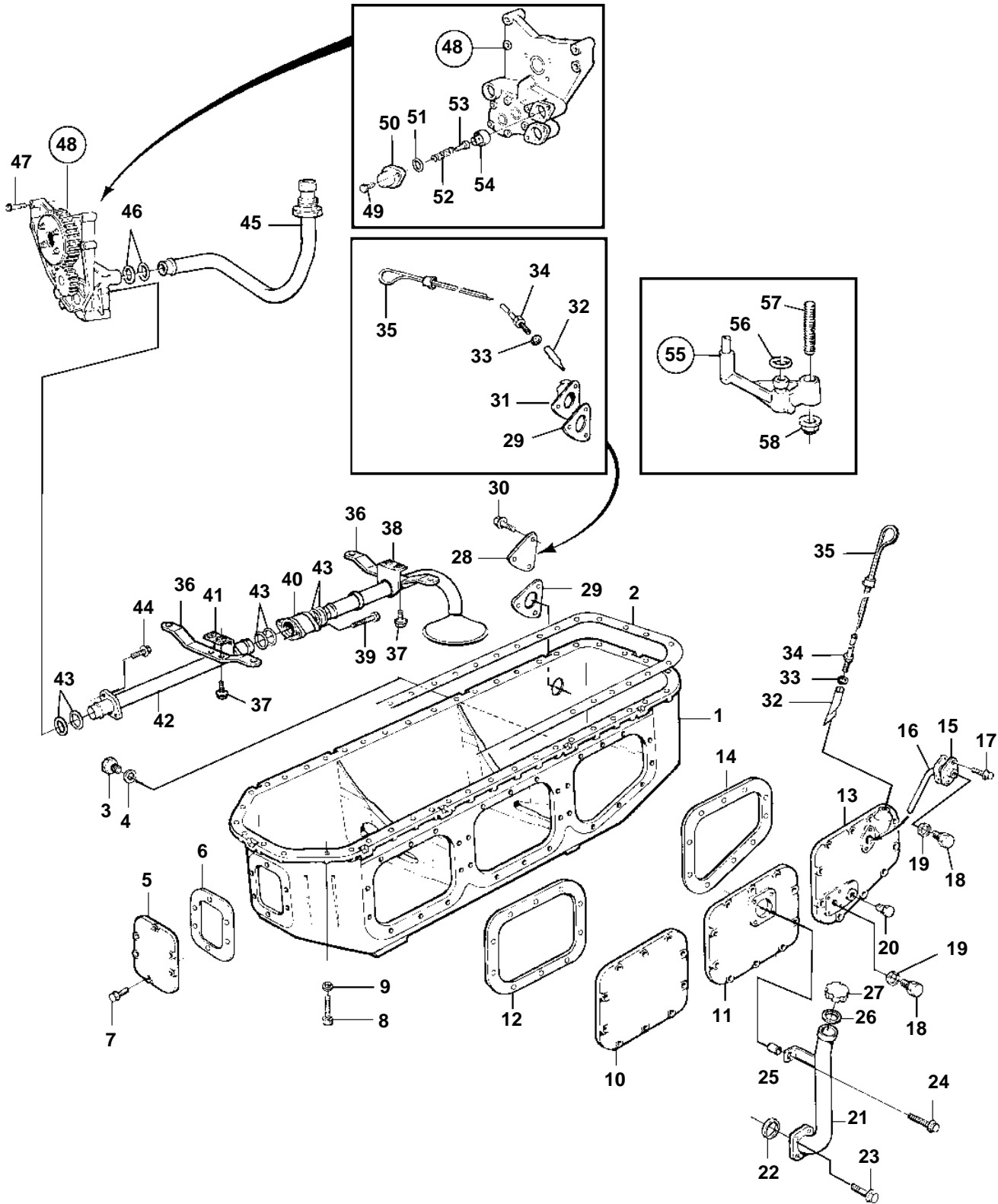


TAMD162A, TAMD162C, TAMD162C-B



TAMD162A, TAMD162C, TAMD162C-B

REF	PART NO.	QTY	DESCRIPTION	SEE SEC.	NOTES
1	862554	1	Oil pan		
2	3827274	1	Gasket		
3	949175	1	Magnetic plug		
4	949329	1	Gasket		
5	849276	1	Cover		
6	849823	1	Gasket		
7	946671	36	Flange screw		
8	959223	44	Screw		
9	941907	44	Spring washer		
10	862626	1	Hatch		
11	849851	1	Hatch		
12	848912	2	Gasket		
13	862555	1	Cover		
14	862575	1	Gasket		
15	849793	1	Tube, draining		
16	862602	1	Gasket		
17	946173	2	Flange screw		
18	960632	2	Plug		
19	947624	2	Gasket		
20	479956	1	Plug		
21		1	Oil filler pipe		SN-XXXXXXXXXX/15948. Replaced by 1ea oil filler pipe 866936, 1ea flange screw 946671 and 1ea sleeve 862713. SNXXXXXXXXXX/15949-
	866936	1	Oil filler pipe		
22	843584	1	Sealing ring		
23	946173	4	Flange screw		
24	946173	1	Flange screw, L=20mm		SN-XXXXXXXXXX/15948
	946671	1	Flange screw, L=30mm		SNXXXXXXXXXX/15949-
25	862713	1	Sleeve		SNXXXXXXXXXX/15949-
26	1275379	1	Gasket		SN-XXXXXXXXXX/15948
27	421753	1	Oil filler cap		SN-XXXXXXXXXX/15948
	1275403	1	Oil filler cap		SNXXXXXXXXXX/15949-
28	849265	1	Cover		
29	849266	1	Gasket		
30	946173	3	Flange screw		
31	849249	1	Bracket		
32	862856	2	Tube		
33	11996	2	Gasket		
34	862572	2	Tube		
35	849975	2	Oil dipstick		
36	848867	2	Bracket		
37	946440	4	Flange screw		
38	848871	1	Suction pipe		
39	965184	2	Screw		
40	848870	1	Flange		
41	848868	1	Bracket		
42	848864	1	Tube		
43	1543579	6	Sealing ring		
44	945444	2	Flange screw		
45		1	Oil feed pipeincl nut and ferrule		EARLY TYPE. Replaced by 1ea pressure oil 382186 and 2ea sealing ring 1543578.
	3826186	1	Oil feed pipe, incl nut and ferrule		LATE TYPE
46	1543578	1	Sealing ring		EARLY TYPE
	1543578	2	Sealing ring		LATE TYPE
47	965186	4	Flange screw		
48	1543963	1	Oil pump		SN-XXXXXXXXXX/8700. For TAMD162A,TAMD162C-B relplaced by 1ea oil pump 3825153, 1ea oil strainer 1543988, 1ea 864897, 1ea 864896, 1ea 849722, 1ea 965180 and 1ea 965183.
				1098	
	865282	1	Oil pump		Replaced by 3825153.. SNXXXXXXXXXX/8701-25067
				1098	
	3825153	1	Oil pump		
				4073	

